



SUNFLOWER OIL & MEAL. WORLDWIDE

SOFT COMMERCIAL OFFER

CONTENT



PRODUCTS

WHO WE ARE	3
SUNFLOWER OIL SPECIFICATIONS	4
SUNFLOWER MEAL SPECIFICATIONS	5
BUSINESS AND CORPORATE STRUCTURE	6

PRODUCTION

OVERVIEW OF THE PRODUCTION FACILITIES	7
LOCATION OF THE PRODUCTION FACILITIES	8

MARKETING

SUNPRO'S GEOGRAPHY OF SALES	9
EXPORT OF SUNFLOWER OIL FROM UKRAINE	10
UKRAINE TOPS THE LIST OF WORLD SUNFLOWER PRODUCERS	11

DISCLAIMER	12
CONTACTS	13

WHO WE ARE

Sunpro Group is a group of companies specializing in the production of crude sunflower oil.

With headquarters in Switzerland, the Group owns and operates processing facilities located in Ukraine, the country ranked as the biggest producer and exporter of sunflower oil in the world.

With its production facilities located close to the biggest ports on the Black Sea, the Group has superlative access to logistic and trading flows worldwide.



MAIN PRODUCT
SUNFLOWER CRUDE OIL



BY-PRODUCTS
ANIMAL FEED (SUNFLOWER
CAKE AND MEAL)



GRANULATED HUSKS



SUNFLOWER OIL SPECIFICATIONS



DESCRIPTION	SPECIFICATION
Organoleptic specifications	
Odor & taste:	Characteristic of sunflower seed oil without foreign taste, bitterness and smell
Transparency:	The presence of “net” over sediment
Physical-chemical specifications	
Color value, mg of iodine	< 25
Acid number, mg KOH/g (of freshly produced)	< 4.0
Peroxide value, ½ O mmol/kg (of freshly produced)	< 7.0
Non-oleaginous impurities mass part, %	< 0.1
Phosphorus-containing matters mass part, % in recalculation to stearo-oleo-lecithin	< 0.6
in recalculation to P2O5	< 0.058
Moisture and volatile matters mass part, %	< 0.2
Flash point of extracted oil, °C	> 225
Toxic elements and microtoxins content, mg/kg	according to DSTU 4492:2005
Organochlorine pesticides residual quantity mass part, mg/kg	according to DSTU 4492:2005
Radionuclides content, Bq/kg	according to DSTU 4492:2005
Shelf life	3 months

Sunflower seed, crude, non-winterized.

The mixture of worm-press and extracted, of the first grade.

DSTU 4492:2005

OKP Code: 9141366900

SUNFLOWER MEAL SPECIFICATIONS

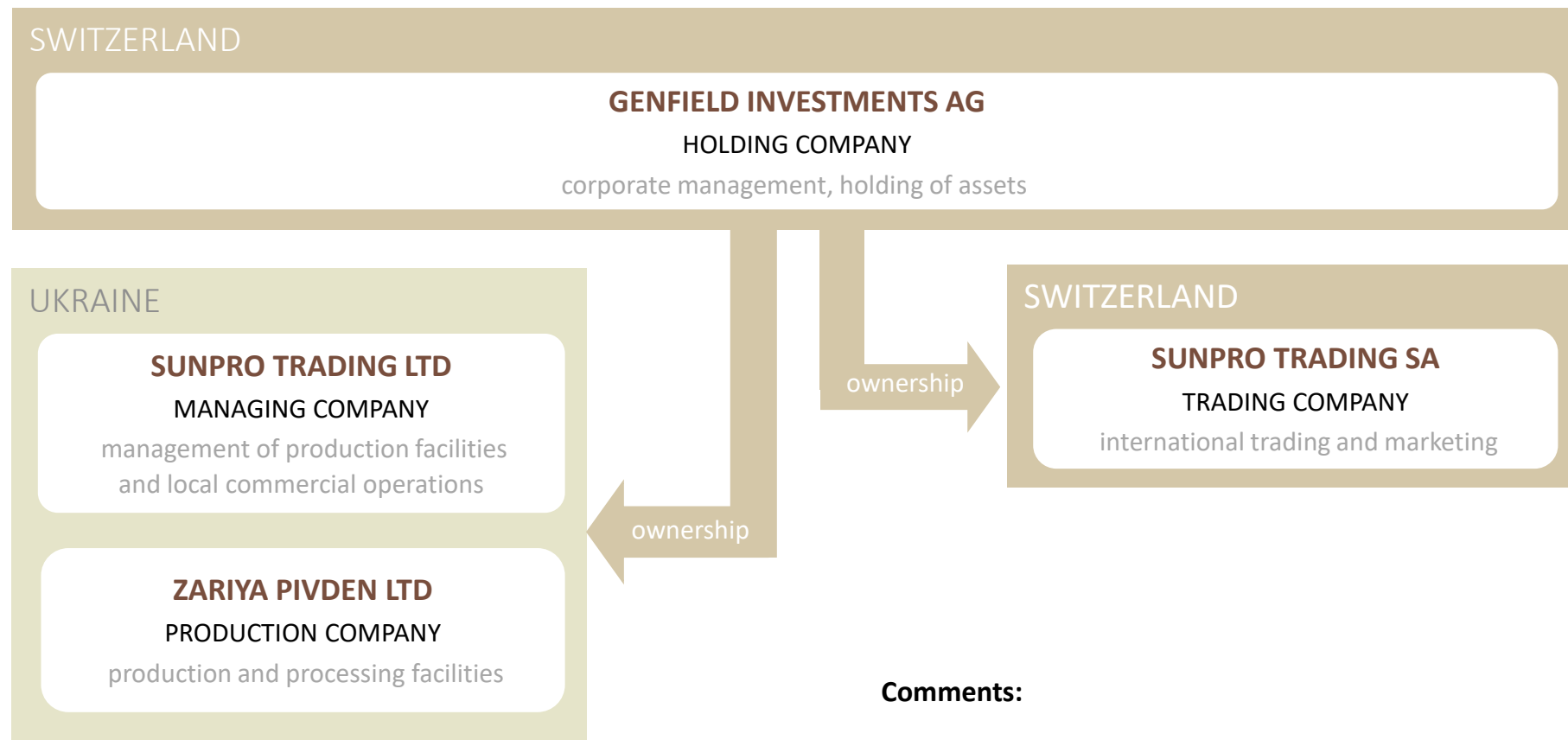


DESCRIPTION	SPECIFICATION
Organoleptic specifications	
Meal	sunflower, high-protein
Appearance	non- granulated
Odor, color	according to DSTU 4638:2006
Physical-chemical specifications	
Mass part of residual quantity of solvent, %	0,06
Mass part of extraneous impurities, %	not detected
Mass part of metal impurities, %	0,01
parts in size under 2 mm, no more than	not detected
parts in size under 2 mm	not detected
Pest contamination	not detected
Mass part of moisture and volatile matters, %	9,4 - 10,2
Moisture and volatile matters mass part, %	0,7 - 1,5
Raw protein in absolutely dry matter, %	39,5 - 40,0
Summarized mass part of soluble protein to the total protein quality, %	70,4
Mass part of ash insoluble in 10% HCl in recalculation on abs. dry matter, %	0,74
Mass part of cellulose in recalculation on abs. dry matter, %	21,0
Overall energy value, caloricity unit not less than	0,968
Pesticides, radionuclides, toxic elements, nitrates, nitrites, mycotoxins contents and toxicity	according to DSTU 4638:2006

Shelf life: 3 months under storage conditions in places which are equipped with combined extract and input ventilation, are well ventilated, dry and clean, are not infected with grain stocks pests, and are protected from penetration of direct sunlight and heat sources with carrying out periodic inward-warehouse mixing.

Before storage and dispatch, sunflower meal shall be cooled to the temperature not over 35°C or no more than 5°C over environment temperature under relative air humidity 70% and the temperature over 30°C.

BUSINESS & CORPORATE STRUCTURE



Comments:

The companies based in Ukraine are fully owned by the Group.

PRODUCTION FACILITIES



The Group's production plant is a new-build, fully automated complex constructed in 2014-2015. All technological processes at the plant are precisely controlled by automated systems, providing the highest standards of production efficiency and quality control.

Seed processing capacity: **600** mt/day

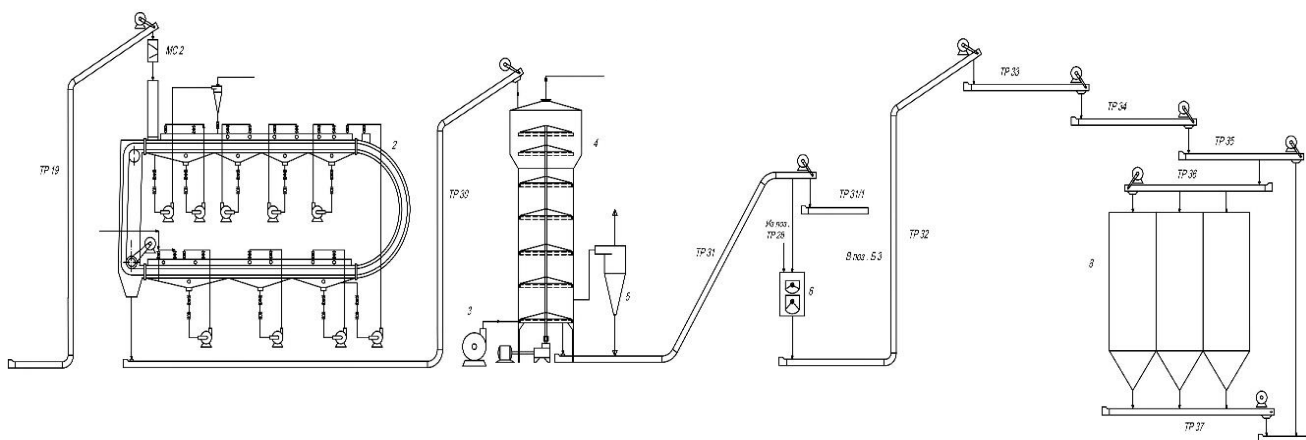
Sunflower oil production capacity: **250** mt/day

Meal production capacity: **250** mt/day

Seed acceptance capacity: **900** mt/day

Number of personnel: **75** employees

Plot size of the factory: **3** hectares



ELEVATOR

- Acceptance, cleaning, drying and storage of seed;
- Acceptance capacity – **up to 80 mt/hour**;
- Storage capacity – **up to 15'000 mt**.

PREPARATION & PRESS (CRUSH) FACILITIES

- Decortication, conditioning and screw-pressing of sunflower seed, oil filtration;
- Crush capacity – **up to 25 mt/hour** or **600 mt/day**.

EXTRACTION FACILITIES

- Oil extraction (from cake), distillation, production of meal;
- Extraction capacity – **up to 1'200 mt/day (basis seed)**

STORAGE FACILITIES

- Sunflower oil storage capacity – **350 mt**;
- Meal storage capacity – **600 mt**;
- Loading-out capacity for each storage type – **80 mt/hour**.

BOILER ROOM

- Provides heat for technological purposes;
- Works on solid fuel (sunflower hulls) with the productivity of **10 mt/hour**;
- On-site well for constant water supply.

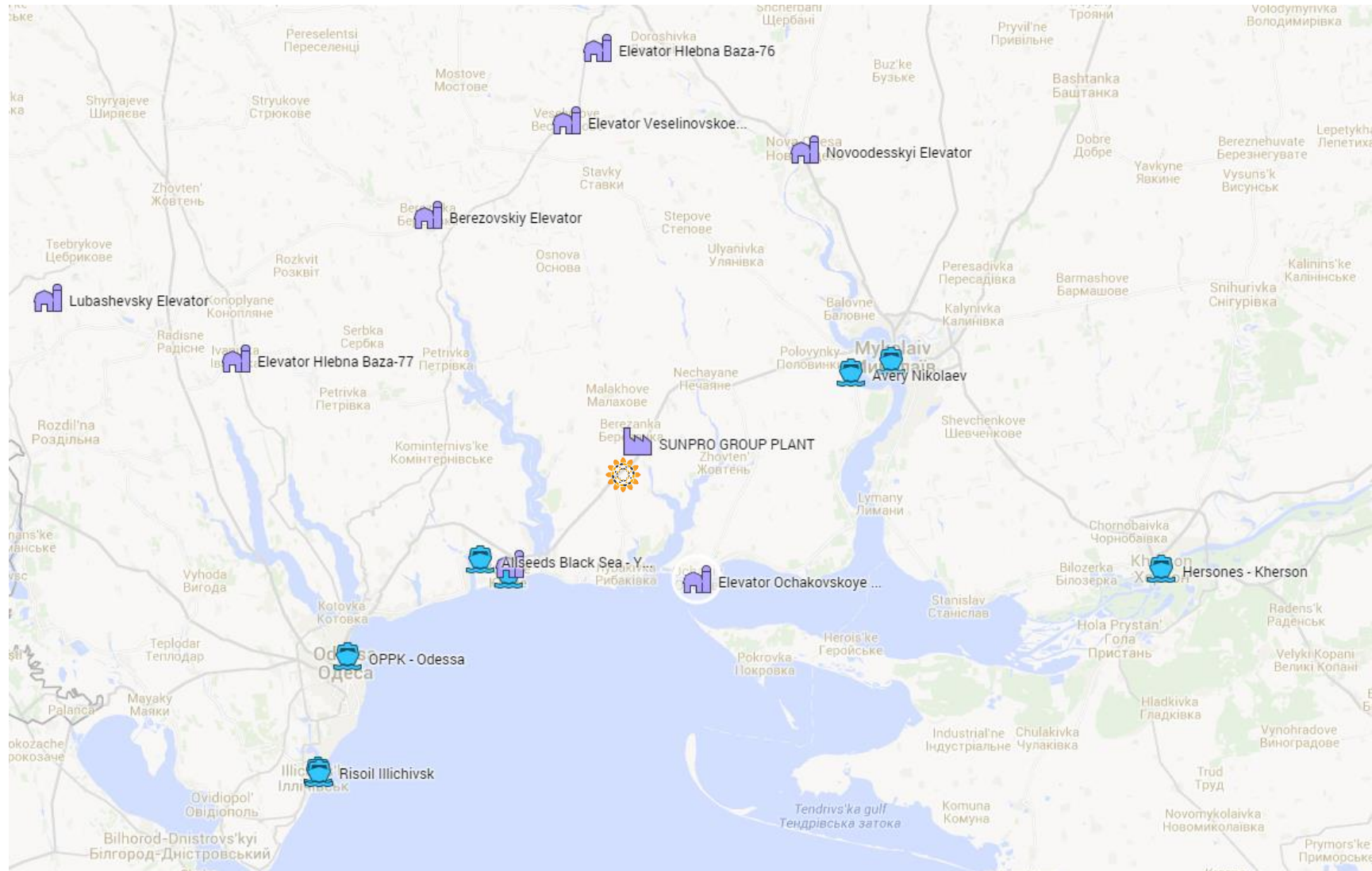
PRODUCTION FACILITIES LOCATION



The Group's production plant is located in the south of Ukraine, some 85km NE of Odessa, ideally positioned in a region with a cluster of sunflower seed elevators (silos).

At the same time, the plant is located in close proximity to the biggest Black Sea ports.

Such location suits itself to cost-efficiency of both delivery of raw materials and shipment of final products.

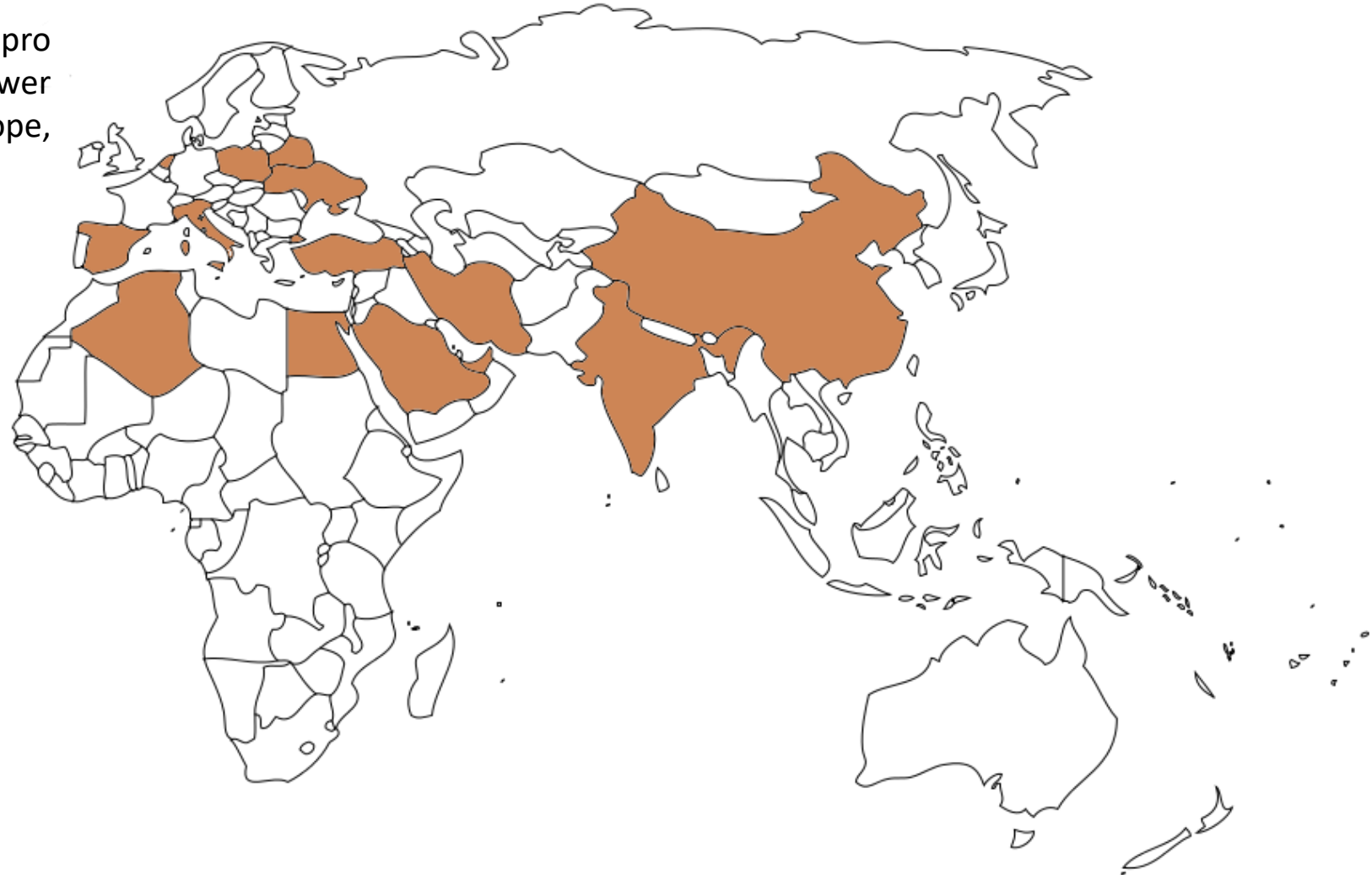


SUNPRO'S GEOGRAPHY OF SALES



In partnership with Aster Resources SA, Sunpro Group exports crude sunflower oil and sunflower meal to more numerous countries in Europe, Middle East, Africa and Asia.

Algeria
China
Egypt
EU
India
Middle East
Turkey



DISCLAIMER

The material in this presentation has been prepared by Sunpro Group and is general background information about its activities current as at the date of this presentation. This information is given in summary form and does not purport to be complete.

This presentation may contain forward looking statements including statements regarding our intent, belief or current expectations with respect to Sunpro Group's businesses and operations, market conditions, results of operation and financial condition, specific provisions and risk management practices.

While due care has been used in the preparation of forecast information, actual results may vary in a materially positive or negative manner. Forecasts and hypothetical examples are subject to uncertainty and contingencies outside Sunpro Group's control.

Switzerland

Montreux

t: + 41 2 966 55 55

e: info@sungroup.ch

address:

Sunpro Group Headquarters
92 Grand' Rue,
1821 Montreux
Switzerland

www.sunprogroup.ch

Ukraine

Kiev

t: + 380 67 711 84 18

address:

Sunpro Group Kiev
6, Lavrska street
01010 Kiev
Ukraine

Odessa

t: + 380 67 711 84 18

address:

Sunpro Group Odessa
18 Onilovoi Lane str.,
65000 Odessa
Ukraine